

# MV-ID5050M

## 4.2 MP Smart Code Reader



### Introduction

MV-ID5050M smart code reader can read different types of codes with reading speed up to 90 codes/sec. It adopts Hikrobot's deep learning algorithm to process images with good robustness, and can recognize various complex codes.

### Key Feature

- Adopts built-in deep learning algorithm to read codes with good robustness.
- Adopts CMOS global shutter sensor to provide high quality images.
- Adopts mechanical autofocus lens to achieve automatic focusing.
- Supports code score and quality evaluation for code printing quality.
- Adopts controllable light source design providing diversified light.
- Ingress protection rating 67.

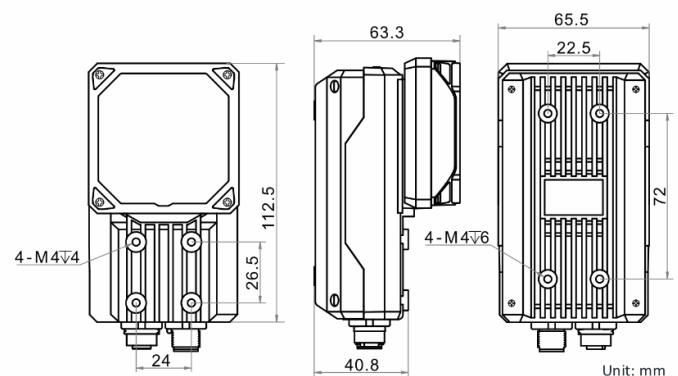
### Applicable Industry

Consumer electronics, food and beverage, pharmaceutical, semiconductor, automobile, new energy, etc.

### Available Model

- 8 mm focal length: MV-ID5050M-08S-WBN
- 12 mm focal length: MV-ID5050M-12S-WBN
- 16 mm focal length: MV-ID5050M-16S-WBN
- 25 mm focal length: MV-ID5050M-25S-WBN

### Dimension



# Specification

Model	MV-ID5050M-08S-WBN	MV-ID5050M-12S-WBN	MV-ID5050M-16S-WBN	MV-ID5050M-25S-WBN
<b>Performance</b>				
<b>Symbologies</b>	1-dimensional codes: Code 39, Code 93, Code 128, CodaBar, EAN 8, EAN 13, UPCA, UPCE, ITF 14, ITF 25, Matrix 25, MSI, China Post, Code 11, and Industrial 25			
	2-dimensional codes: QR Code, Data Matrix			
	Stack codes: PDF 417			
<b>Max. frame rate</b>	40 fps			
<b>Max. reading speed</b>	90 codes/sec			
<b>Sensor type</b>	CMOS, global shutter			
<b>Pixel size</b>	3.2 $\mu\text{m}$ $\times$ 3.2 $\mu\text{m}$			
<b>Sensor size</b>	1/1.7"			
<b>Resolution</b>	2368 $\times$ 1760			
<b>Exposure time</b>	60 $\mu\text{s}$ to 1 sec			
<b>Gain</b>	0 dB to 18 dB			
<b>Mono/color</b>	Mono			
<b>Communication protocol</b>	SmartSDK, TCP Client, TCP Server, Serial, FTP, Profinet, Ethernet/IP, MELSEC, ModBus, Fins, SLMP			
<b>Electrical feature</b>				
<b>Data interface</b>	Gigabit Ethernet			
<b>Digital I/O</b>	12-pin M12 connector provides power and I/O, including opto-isolated input (LineIn 0/1/2) $\times$ 3, opto-isolated output (LineOut 0/1/2) $\times$ 3, RS-232 input $\times$ 1, and RS-232 output $\times$ 1.			
<b>Power supply</b>	24 VDC			
<b>Max. power consumption</b>	Approx. 60 W@24 VDC (light source enabled)			
<b>Mechanical</b>				
<b>Focal length</b>	8 mm (0.3")	12 mm (0.5")	16 mm (0.6")	25 mm (1.0")
<b>Lens mount</b>	M12-mount, mechanical autofocus supported.			
<b>Lens cap</b>	Half polarization lens cap by default. Transparent and full polarization lens cap are optional.			
<b>Light source</b>	White light by default. Red/blue/IR light is optional.			
<b>Indicator</b>	Power indicator (PWR), network indicator (LNK/ACT), and user-defined indicator (U1/U2).			
<b>Dimension</b>	112.5 mm $\times$ 65.5 mm $\times$ 63.3 mm (4.4" $\times$ 2.6" $\times$ 2.5")			
<b>Weight</b>	Approx. 450 g (1.0 lb.)			
<b>Ingress protection</b>	IP67 (under proper installation of waterproof lens cap)			
<b>Temperature</b>	Working temperature: 0 $^{\circ}\text{C}$ to 50 $^{\circ}\text{C}$ (32 $^{\circ}\text{F}$ to 122 $^{\circ}\text{F}$ ) Storage temperature: -30 $^{\circ}\text{C}$ to 70 $^{\circ}\text{C}$ (-22 $^{\circ}\text{F}$ to 158 $^{\circ}\text{F}$ )			
<b>Humidity</b>	20% to 95% RH, non-condensing			
<b>General</b>				
<b>Client software</b>	IDMVS			
<b>Certification</b>	CE, FCC, RoHS			