

# MV-SC7060PM-00C-NNN

6 MP Smart Camera



## Introduction

MV-SC7060PM-00C-NNN smart camera is developed based on high-performance embedded platform. It adds vision algorithms like character recognition, object recognition, object sorting, etc. after integrating general vision algorithms. With mechanical autofocus function, the smart camera can meet different scenario demands. It can be easily configured and operated via the SCMVS client software, and uses Ethernet to output vision tool results and customized results.

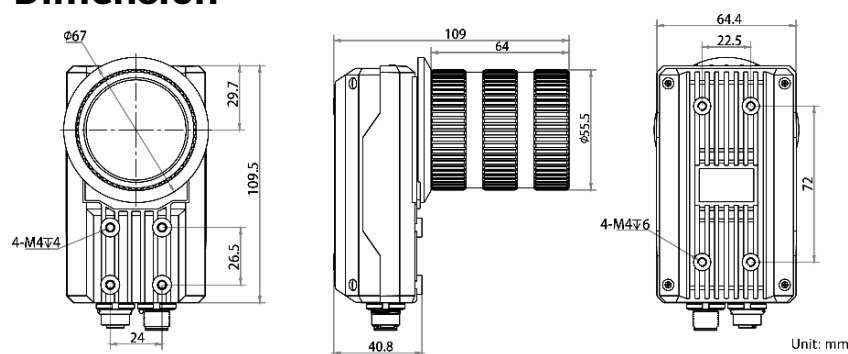
## Available Model

MV-SC7060PM-00C-NNN

## Applicable Industry

Consumer electronics, food and beverage, pharmaceutical, automobile, etc.

## Dimension



## Key Feature

- Built-in deep learning algorithms to achieve character and object recognition, object sorting, etc.
- Integrates general vision algorithms to achieve location, measurement, recognition, etc.
- Supports mechanical autofocus function to achieve fast debugging and configuration.
- Big memory and storage support image savings in loop with high performance.
- Adopts multiple I/O interfaces for controlling.
- Supports multiple communication protocols.
- Supports indicators displaying device status.

# Specification

|                               |  |
|-------------------------------|--|
| <b>Model</b>                  | <b>MV-SC7060PM-00C-NNN</b>   |
| <b>Tool</b>                   |  |
| <b>Vision tool</b>            | <ul style="list-style-type: none"> <li>● Count: Pattern count, spot count, edge count</li> <li>● Defect detection: Exception detection</li> <li>● Existence: Pattern existence, spot existence, edge existence, circle existence, line existence</li> <li>● Location: Match location, match calibration</li> <li>● Logic tool: If module, condition judge, logic judge, combination judge, string comparison, calculator</li> <li>● Measurement: L2L angle, diameter measurement, brightness analysis, contrast measurement, width measurement, P2L measurement, greyscale size, line angle, edge width measurement</li> <li>● Recognition: OCR, code recognition, DL classification, DL object detection</li> </ul> |
| <b>Solution capacity</b>      | Supports solution importing and exporting, up to 32 solutions and 40 modules can be stored.  |
| <b>Communication protocol</b> | RS-232, TCP, UDP, FTP, Profinet, ModBus, EtherNet/IP   |
| <b>Camera</b>                 |  |
| <b>Sensor type</b>            | CMOS, rolling shutter  |
| <b>Pixel size</b>             | 2.4 μm × 2.4 μm  |
| <b>Sensor size</b>            | 1/1.8"   |
| <b>Resolution</b>             | 3072 × 2048  |
| <b>Max. frame rate</b>        | 30 fps   |
| <b>Gain</b>                   | 0 dB to 15 dB  |
| <b>Exposure time</b>          | 16 μs to 1 sec   |
| <b>Pixel format</b>           | Mono 8   |
| <b>Mono/color</b>             | Mono   |
| <b>Platform</b>               |  |
| <b>Memory</b>                 | 8 GB   |
| <b>Storage</b>                | 32 GB  |
| <b>Electrical feature</b>     |  |
| <b>Data interface</b>         | Gigabit Ethernet interface   |
| <b>Digital I/O</b>            | 12-pin M12 connector provides power and I/O, including opto-isolated input (Line 0/1/2) × 3, opto-isolated output (Line 3/4/5) × 3, and RS-232 × 1   |
| <b>Power supply</b>           | 24 VDC   |
| <b>Power consumption</b>      | Approx. 7.5 W@24 VDC   |



| <b>Mechanical</b>         |   |
|---------------------------|---|
| <b>Lens mount</b>         | C-mount   |
| <b>Lens cap</b>           | Transparent lens cap  |
| <b>Light source</b>       | Not included  |
| <b>Indicator</b>          | Power indicator (PWR), network indicator (LNK/ACT), and user-defined indicator (U1/U2).                         |
| <b>Dimension</b>          | 109.5 mm × 64.4 mm × 109 mm (4.3" × 2.5" × 4.3")  |
| <b>Weight</b>             | Approx. 470 g (1.0 lb.)   |
| <b>Ingress protection</b> | IP67 (under proper installation of waterproof lens cap)   |
| <b>Temperature</b>        | Working temperature: 0 °C to 50 °C (32 °F to 122 °F)<br>Storage temperature: -30 °C to 70 °C (-22 °F to 158 °F) |
| <b>Humidity</b>           | 20% to 95% RH, non-condensing   |
| <b>General</b>            |   |
| <b>Client software</b>    | SCMVS   |
| <b>Certification</b>      | CE, FCC, KC   |