

MV-SC7060PM

6 MP Smart Camera



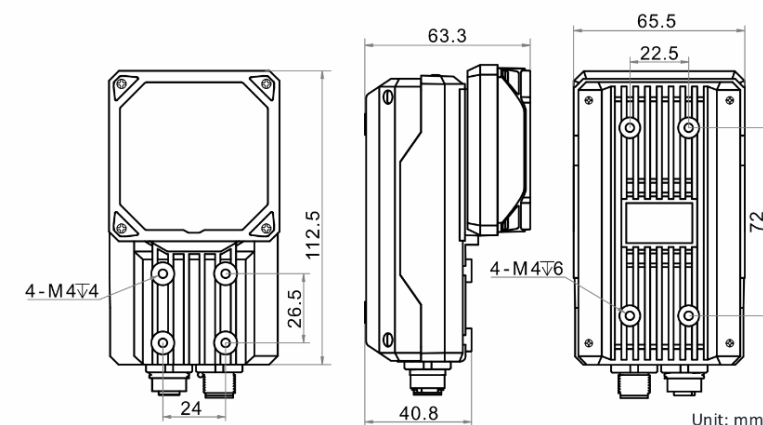
Introduction

MV-SC7060PM smart camera is developed based on high-performance embedded platform. It adds vision algorithms like character recognition, object recognition, object sorting, etc. after integrating general vision algorithms. With mechanical autofocus function, the smart camera can meet different scenario demands. It can be easily configured and operated via the SCMVS client software, and uses Ethernet to output vision tool results and customized results.

Available Model

MV-SC7060PM-12S-WBN

Dimension



Key Feature

- Built-in deep learning algorithms to achieve character and object recognition, object sorting, etc.
- Integrates general vision algorithms to achieve location, measurement, recognition, etc.
- Supports mechanical autofocus function to achieve fast debugging and configuration.
- Big memory and storage support image savings in loop with high performance.
- Adopts multiple I/O interfaces for controlling.
- Supports multiple communication protocols.
- Supports indicators displaying device status.

Applicable Industry

Consumer electronics, food and beverage, pharmaceutical, automobile, etc.



A-TECH
AUTOMATION

Presented by: A-TECH AUTOMATION sales@a-tech.ca www.a-tech.ca
Direct: 416 754 7008 Toll Free: 1 888 754 7008

Specification

Model	MV-SC7060PM-12S-WBN
Tool	
Vision tool	<ul style="list-style-type: none"> ● Count: Pattern count, spot count, edge count ● Defect detection: Exception detection ● Existence: Pattern existence, spot existence, edge existence, circle existence, line existence ● Location: Match location, match calibration ● Logic tool: If module, condition judge, logic judge, combination judge, string comparison, calculator ● Measurement: L2L angle, diameter measurement, brightness analysis, contrast measurement, width measurement, P2L measurement, greyscale size, line angle, edge width measurement ● Recognition: OCR, code recognition, DL classification, DL object detection
Solution capacity	Supports solution importing and exporting, up to 32 solutions and 40 modules can be stored.
Communication protocol	RS-232, TCP, UDP, FTP, Profinet, ModBus, EtherNet/IP
Camera	
Sensor type	CMOS, rolling shutter
Pixel size	2.4 μm \times 2.4 μm
Sensor size	1/1.8"
Resolution	3072 \times 2048
Max. frame rate	30 fps
Gain	0 dB to 15 dB
Exposure time	16 μs to 1 sec
Pixel format	Mono 8
Mono/color	Mono
Platform	
Memory	8 GB
Storage	32 GB
Electrical feature	
Data interface	Gigabit Ethernet interface
Digital I/O	12-pin M12 connector provides power and I/O, including opto-isolated input (Line 0/1/2) \times 3, opto-isolated output (Line 3/4/5) \times 3, and RS-232 \times 1
Power supply	24 VDC
Power consumption	Approx. 7.5 W@24 VDC (light source disabled) Approx. 20 W@24 VDC (light source enabled)



Mechanical	
Lens mount	M12-mount, mechanical autofocus supported.
Focal length	12 mm (0.5")
Lens cap	Transparent lens cap. Half polarization or full polarization lens cap is optional.
Light source	White light. Red, blue, or NIR light is optional.
Indicator	Power indicator (PWR), network indicator (LNK/ACT), and user-defined indicator (U1/U2).
Dimension	112.5 mm × 65.5 mm × 63.3 mm (4.4" × 2.6" × 2.5")
Weight	Approx. 450 g (1.0 lb.)
Ingress protection	IP67
Temperature	Working temperature: 0 °C to 50 °C (32 °F to 122 °F) Storage temperature: -30 °C to 70 °C (-22 °F to 158 °F)
Humidity	20% to 95% RH, non-condensing
General	
Client software	SCMVS
Certification	CE, FCC, KC

Detection Range

Lens focal length	Installation distance	Field of view	Single pixel accuracy
12 mm (0.5")	60 mm (2.4")	36.86 mm × 24.58 mm (1.5" × 1.0")	0.012 mm
	3000 mm (118.1")	1843.2 mm × 1228.8 mm (72.6" × 48.4")	0.6 mm

